

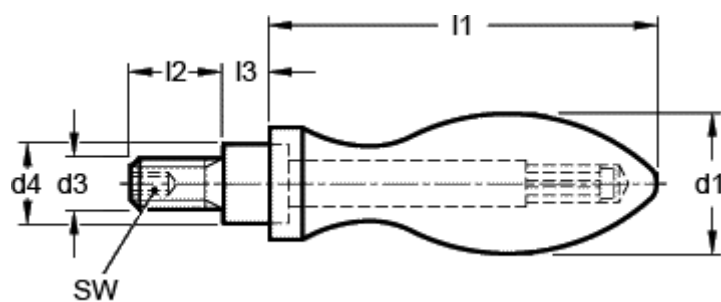
Data Sheet



Article number: 20110025

Description: E+G Revolving handle
DIN 98-ST-25-E

Measures



d_1	= 25
d_3	= M10
d_4 h13	= 16
l_1 approx.	= 75
l_2	= 14
l_3	= 8.0
SW	= 5